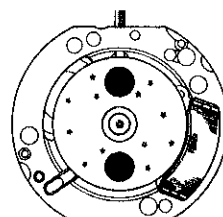
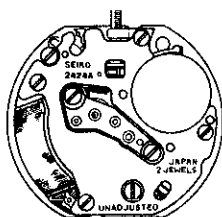


PARTS CATALOGUE

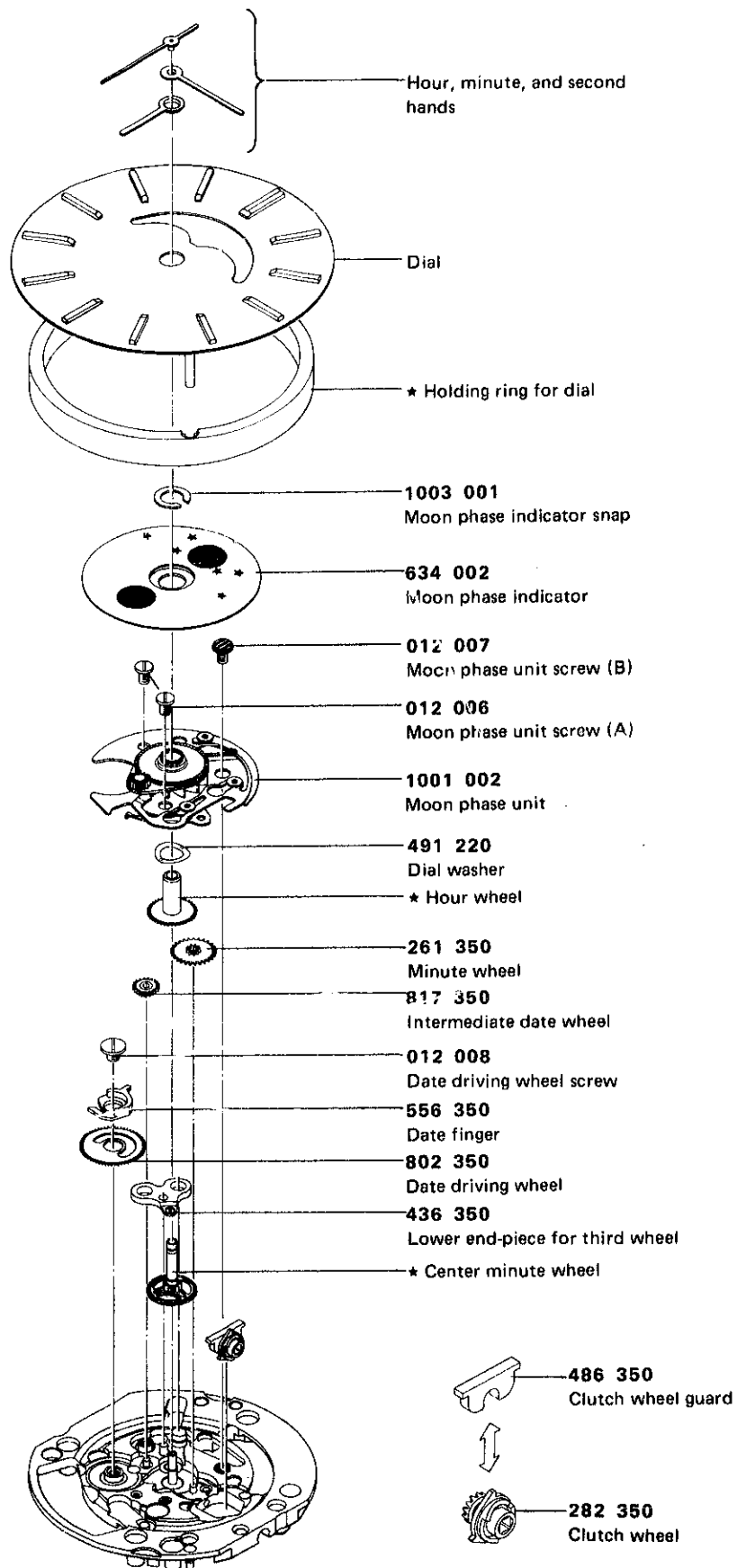
Cal.2A24A

Cal.2A24A (2j)

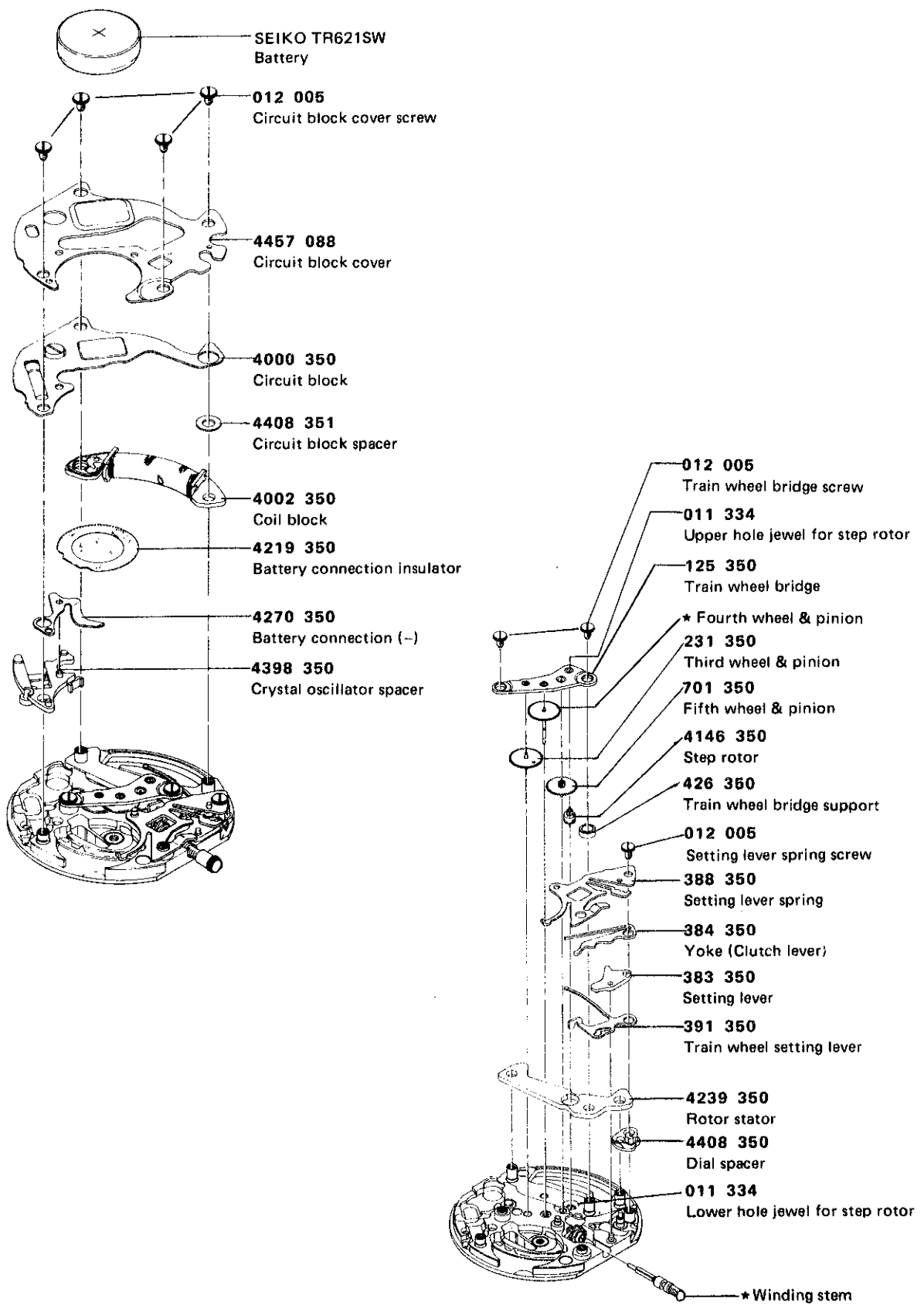


HATTORI SEIKO CO., LTD.

Cal.2A24A




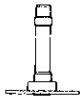
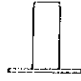

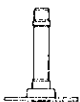

★⇔ Please see remarks on the last page.



Remarks:

Fourth wheel & pinion, Center minute wheel & Hour wheel.
There are two different types as specified below.

Combination:

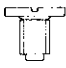



Type	Fourth wheel & pinion	Center minute wheel	Hour wheel
a.	 *241091	 *270069	 *271104
b.	 *241092	 *270070	 *271105









Winding stem

*354073 The type of winding stem is determined based on the design of cases and dials.
Check the case number and refer to "SEIKO Quartz Casing Parts Catalogue" to choose a corresponding winding stem.

Holding ring for dial

*884149 The type of a holding ring for dial is determined based on the design of cases and dials.
Check the case number and refer to "SEIKO Quartz Casing Parts Catalogue" to choose a corresponding holding ring for dial.

 012 005	Train wheel bridge screw Circuit block cover screw Setting lever spring screw
 012 006	Moon phase unit screw (A)
 012 007	Moon phase unit screw (B)
 012 008	Date driving wheel screw

 032 001	Tube for train wheel bridge (A)
 032 002	Tube for train wheel bridge (B)
 032 004	Tube for circuit block cover screw (B)
 032 005	Tube for circuit block cover screw (C)
 032 006	Tube for setting lever spring screw
 032 007	Tube for moon phase unit screw (A)
 032 008	Tube for moon phase unit screw (B)
 032 045	Tube for circuit block cover screw (A)